

SERGE BARIL HEAT TRACING SYSTEMS

GRK-C UNIVERSAL ROOF CLIPS

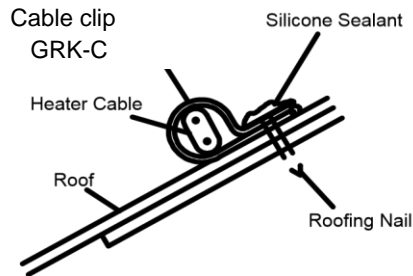
INSTALLATION INSTRUCTIONS

DESCRIPTION

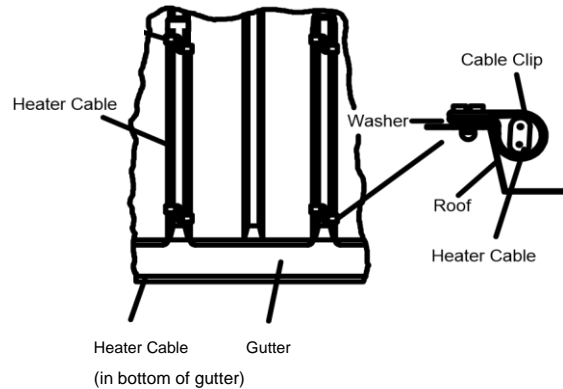
The GRK-C Universal Roof Clips are for use with all versions of Serge Baril's FPS-BT and CCA-BA heating cables.

KIT CONTENTS

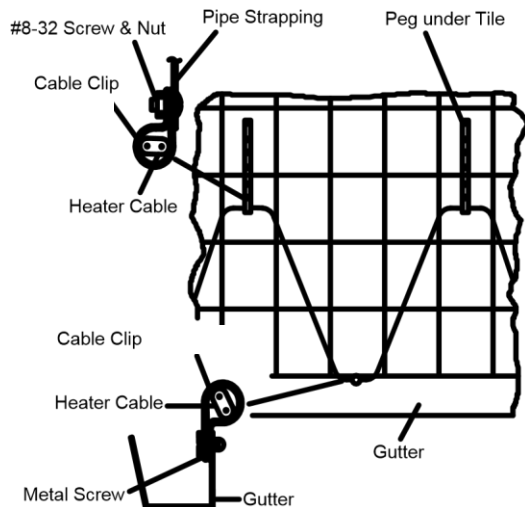
25 Clips



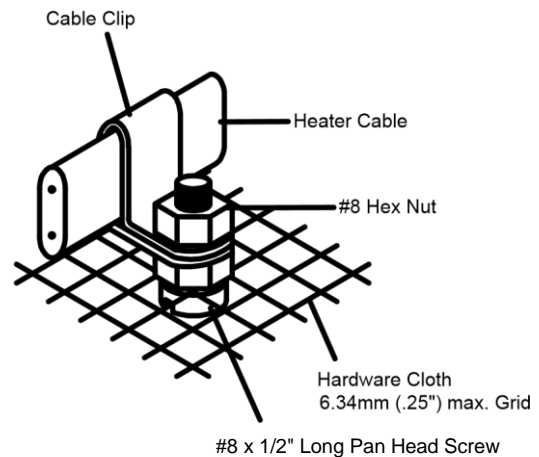
Asphalt/Shake Shingle Roof - Fasten with nail, coat nail head and upslope edge of clip with silicone sealant.



Metal Roof - Fasten with sheet metal screw using neoprene sealing washer. If washers are not available, coat screw and upslope edge of clip with silicone sealant. Exact cable spacing may vary depending on the rib design of the roof. Typically trace every other rib.



Tile Roof - Use perforated pipe strapping to attach the clips to the roof. For new construction, the strapping should be secured to the wooden substructure by means of pegging or nailing as the roof tiles are installed. For existing tile roofs, a bead of adhesive (not furnished) should run along the perforated strapping for a length of 76mm (3") prior to slipping the strapping up under the tile. **Do not use an excessive amount so as to leave a visible blob of adhesive on the outer edge of the tile.** The adhesive bead should be large enough to deform and smear along the underneath surface of the tile. Allow the adhesive cure to full bonding strength before attempting to install the cable and clips.



Flat Roof - Adhesive (not furnished) should be used to bond clips studs to the flat surface. The roof surface should be clean at the bonding locations. **Do not penetrate flat roofs with screws or nails as leaks may develop.** Allow the adhesive to cure to full bonding strength before attempting to install the cable and clips.

Serge Baril Heat Tracing Systems products are supplied with a limited warranty. Complete Terms and Conditions may be found on Serge Baril's website at www.baril.ca.