

SERGE BARIL HEAT TRACING SYSTEMS

SPECIFICATION APPLICATION INSTALLATION

TL-7325 THERMOSTAT

DESCRIPTION



These thermostats are used for controlling heat tracing systems in hazardous locations. The capillary bulb should be mounted on the side of the pipe.

ENCLOSURE

Cast Aluminum

CLASSIFICATIONS

NEMA Type 4, 7, 9 IP66

TEMPERATURE RANGE

Range
-4 to 163°C (25 to 325°F)

CAPILLARY

Length	Material	Max. Bulb Temperature
3m (10ft.)	Stainless Steel	185°C (366°F)

ELECTRICAL DATA

CSA Rating	UL Rating
22 amp resistance 480VAC	22 amp resistance 480VAC

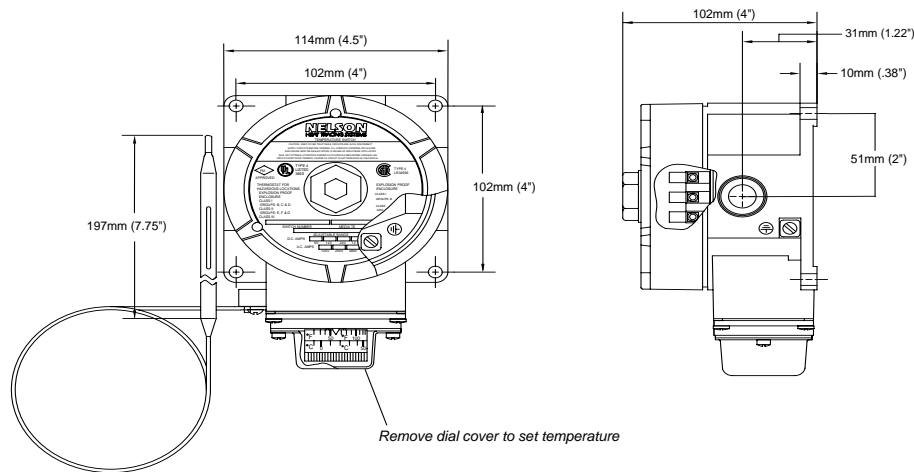
CALIBRATION ACCURACY

1.6°C (3°F)

SWITCH TYPE

Single Pole Double Throw

OUTLINE

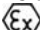


1. Annual Maintenance:

2. Remove cover.
3. Spray a coat of lubricant and rust preventative such as CRC Stor & Lube, electrical grade, on the thermostat body.
4. Replace cover.

Approvals:

Hazardous Locations

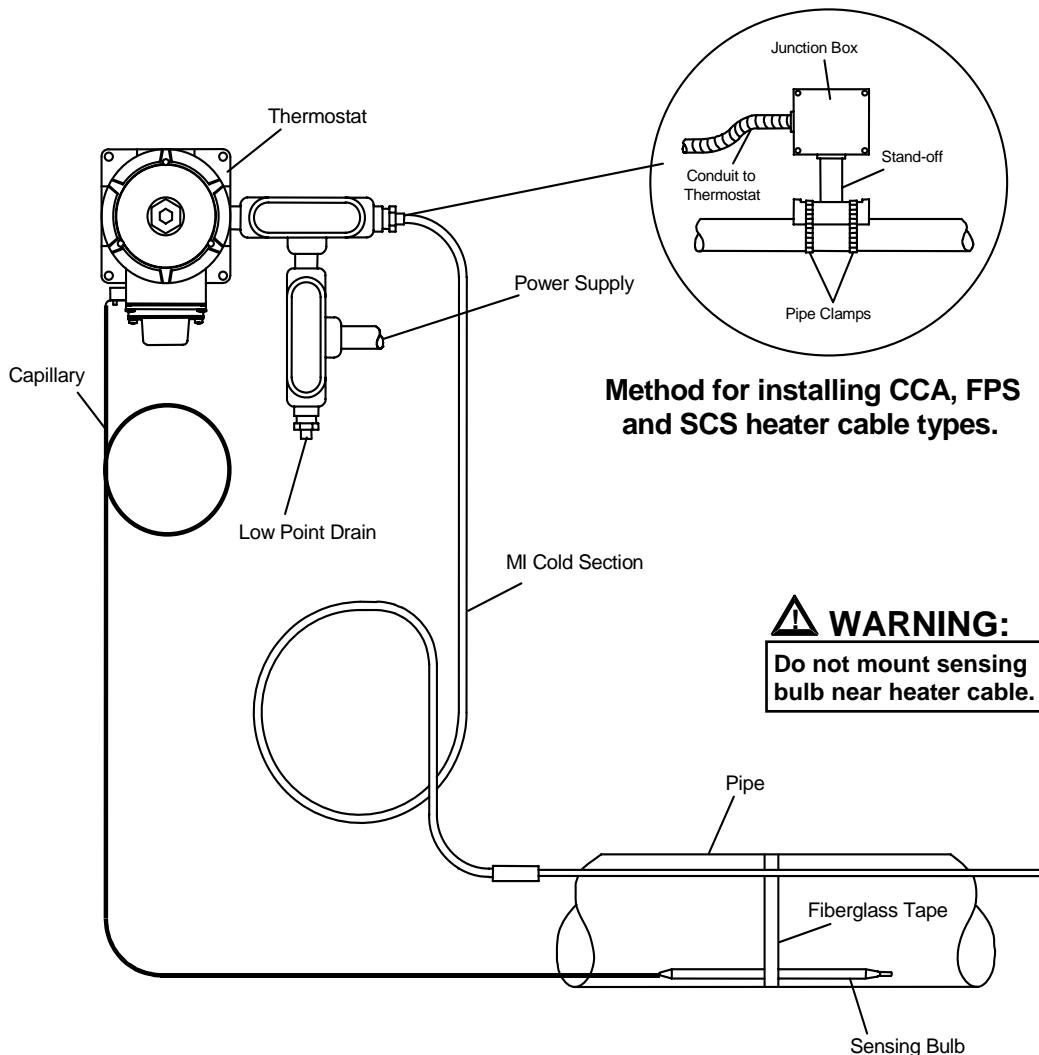
- UL - Class I & II, Groups B, C, D, E, F, G - E53121
- FM - Class I & II, Groups B, C, D, E, F, G - 1ZIA0.AE
- Class I, Zone 1, AEx d IIB+H₂
- CSA - Class I & II, Groups B, C, D, E, F, G - LR701950
- Class I, Encl. Type 4
- Class I, Zone 1, Ex d IIB+H₂
- LCIE -  II 2 G EEx d IIC T6-

2 ATEX 6026

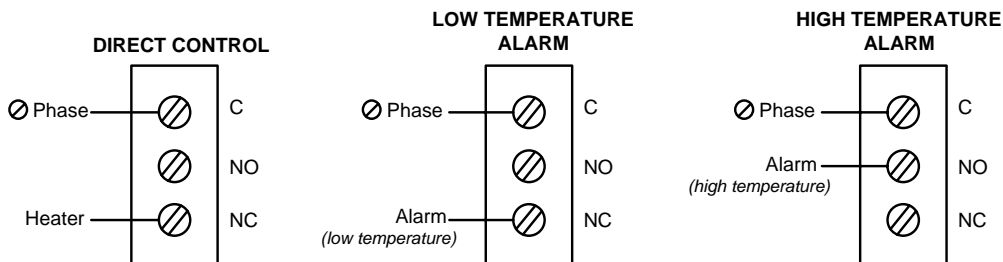


TL-7325 THERMOSTAT

INSTALLATION



WIRING DIAGRAM



SERGE BARIL & ASS. INC.

5310 des Laurentides Blvd., Auteuil, Laval, Canada H7K 2J8

Tel. : (450) 622-7587 Fax : (450) 622-7869

0

