

SERGE BARIL HEAT TRACING SYSTEMS

**SPECIFICATION
APPLICATION
INSTALLATION**

TL-4X325 THERMOSTAT

DESCRIPTION



ENCLOSURE

Die Cast Aluminum

CLASSIFICATIONS

NEMA Type 4X IP66

TEMPERATURE RANGE

Range

-4 to 163°C (25 to 325°F)

CAPILLARY

Length

3m (10ft.)

Material

Stainless Steel

Max. Bulb Temp.

185°C (366°F)

ELECTRICAL DATA

CSA Rating

22 amp resistance 480VAC

UL Rating

22 amp resistance 480VAC

CALIBRATION ACCURACY

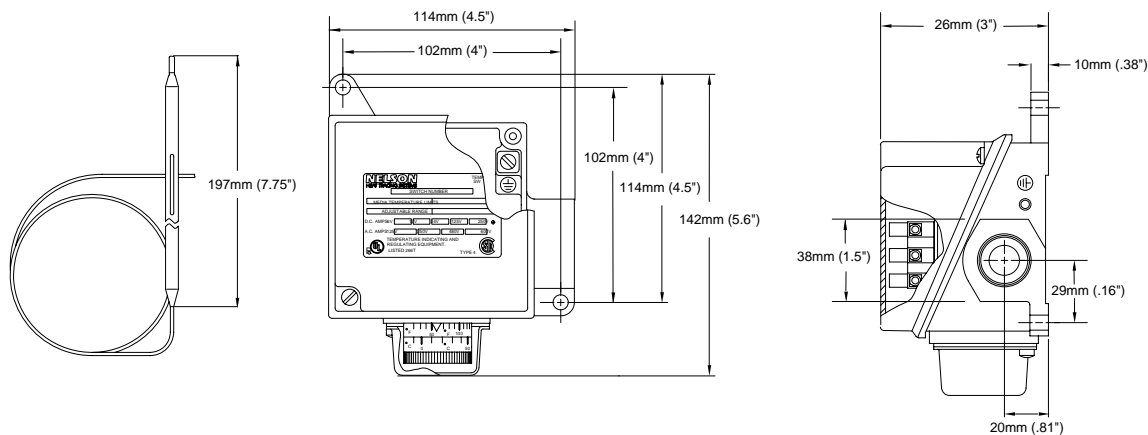
1.6°C (3°F)

SWITCH TYPE

Single Pole Double Throw

These thermostats are used for controlling heat tracing systems in an ordinary locations. The capillary bulb should be mounted on the side of the pipe.

OUTLINE



Annual Maintenance:

1. Remove cover.
2. Spray a coat of lubricant and rust preventative such as CRC Stor & Lube, electrical grade, on the thermostat body.
3. Replace cover.

Approvals:

General Locations

UL - E89748

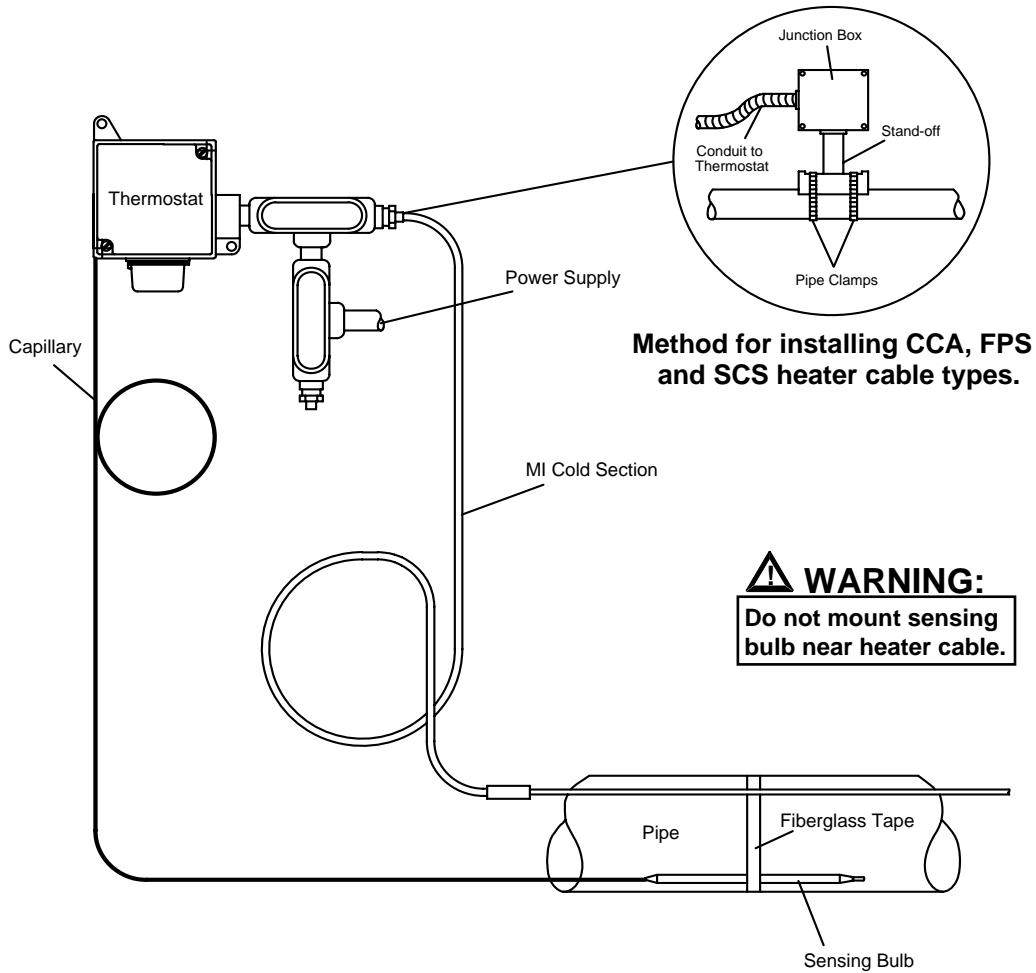
CSA - LR701949

CE



GA-2367 Rev. 0
Sheet 1 of 2
August 2003

INSTALLATION



WIRING DIAGRAM

