

SERGE BARIL HEAT TRACING SYSTEMS

**SPECIFICATION
APPLICATION
INSTALLATION**

TE-4X140 THERMOSTAT

DESCRIPTION



ENCLOSURE

Die Cast Aluminum

CLASSIFICATIONS

NEMA Type 4X IP66

TEMPERATURE RANGE

Range

-9 to 60°C (15 to 140°F)

CAPILLARY

Length

N/A

Material

Stainless Steel

Max. Bulb Temperature

71°C (160°F)

ELECTRICAL DATA

CSA Rating

22 amp resistance 480 VAC

UL Rating

22 amp resistance 480 VAC

CALIBRATION ACCURACY

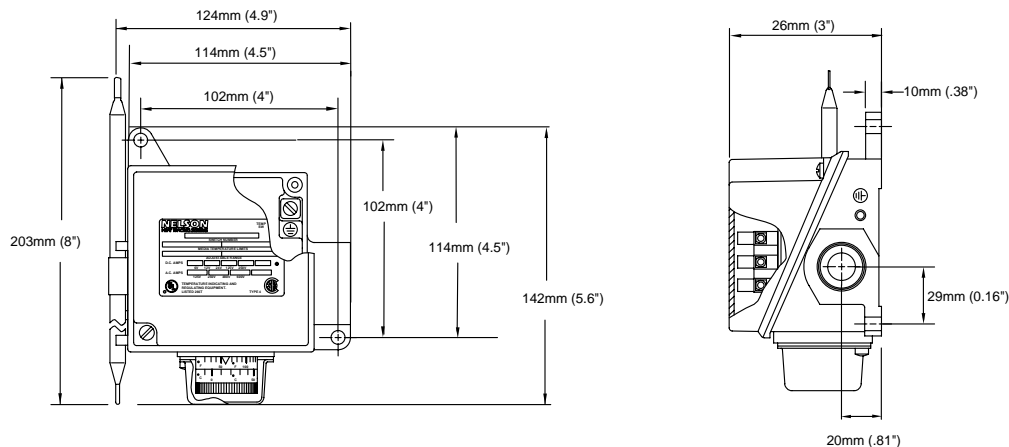
1.1°C (2°F)

SWITCH TYPE

Single Pole Double Throw

These thermostats are used for ambient temperature control in ordinary or corrosive locations.

OUTLINE



Annual Maintenance:

1. Remove Cover.
2. Lubricate dial stem and spray a coat of lubricant and rust preventative such as CRC Stor & Lube, electrical grade, on the thermostat body.
3. Replace Cover.

Approvals:

General Locations

UL - E89748 CSA - LR701949 CE



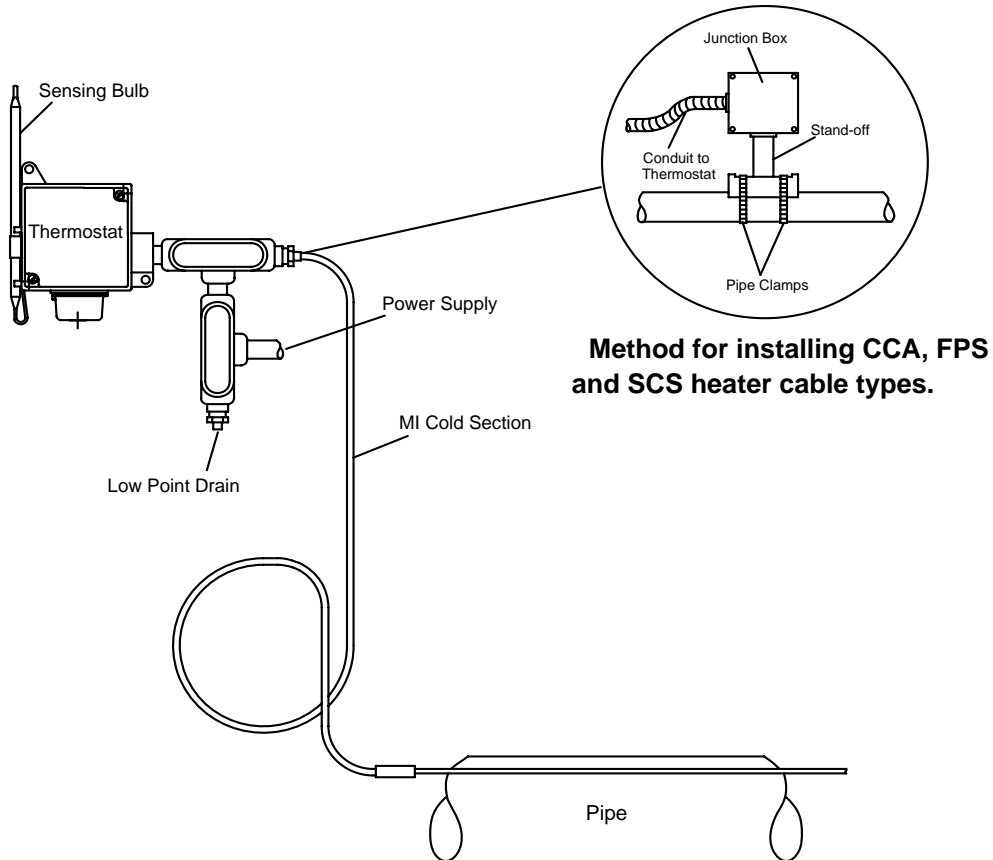
GA-2368 Rev. 0
Sheet 1 of 2
October, 2003

SERGE BARIL HEAT TRACING SYSTEMS

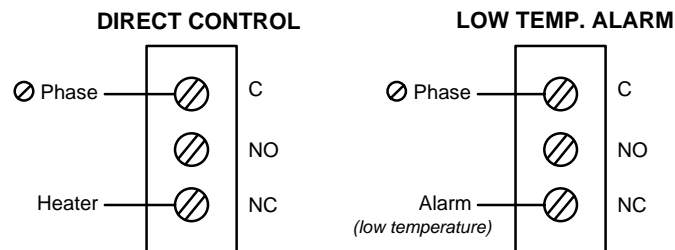
**SPECIFICATION
APPLICATION
INSTALLATION**

TE-4X140 THERMOSTAT

INSTALLATION



WIRING DIAGRAM



SERGE BARIL & ASS. INC.

5310 des Laurentides Blvd., Auteuil, Laval, Canada H7K 2J8

Tel. : (450) 622-7587 Fax : (450) 622-7869

0

S
GA-2368 Rev.

Sheet 2 of 2
October, 2003