

## C-750 CONTACTOR

### DESCRIPTION



#### ENCLOSURE

Cast Aluminum

#### CLASSIFICATIONS

NEMA Type 4, 7, 9 IP66

#### ELECTRICAL DATA

**CSA, FM Rating**  
50 amp resistive @ 600VAC

#### SWITCH TYPE

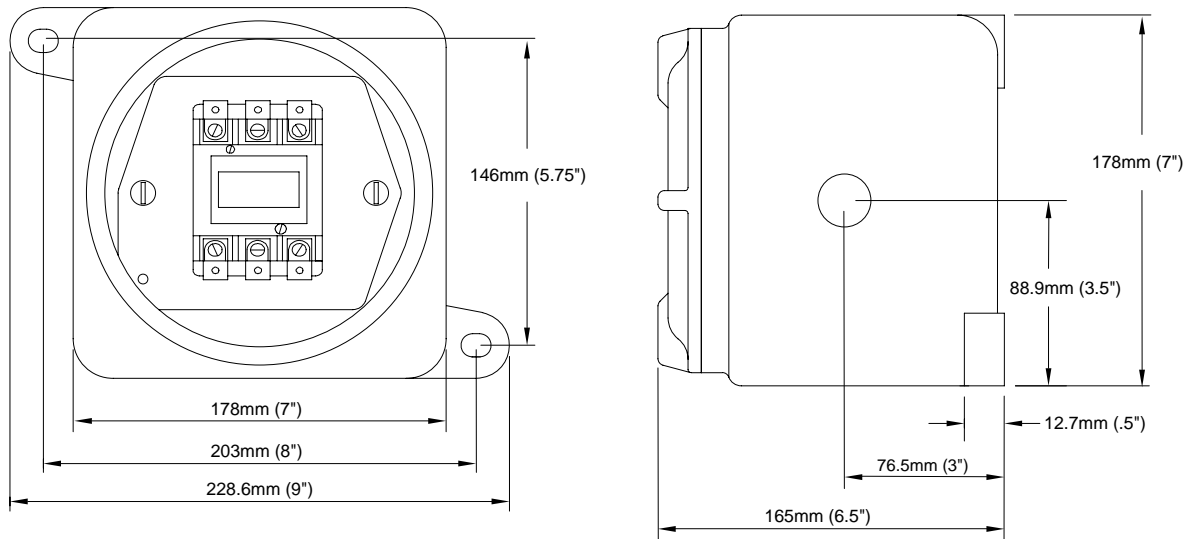
Triple Pole Single Throw

#### COIL VOLTAGE

Blank	=	120V
X208	=	208V
X240	=	240V
X277	=	277V
X480	=	480V

This contactor is used for switching loads in excess of thermostat contacts, ratings or switching multi loads with one thermostat in hazardous locations.

### OUTLINE



#### Approvals:

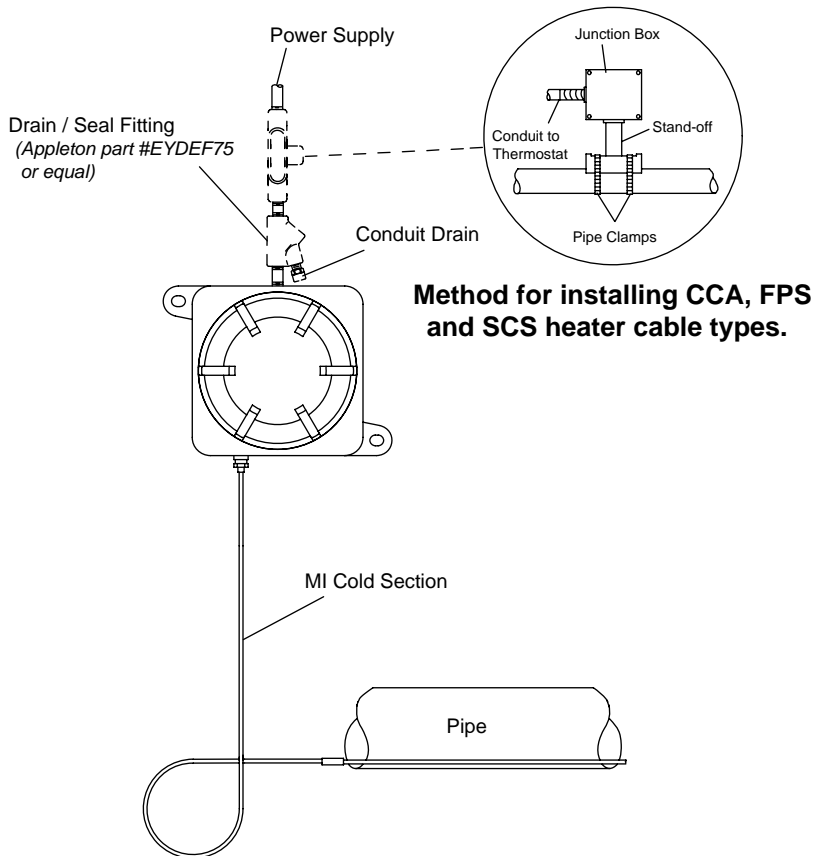
**FM** - Class I; Div. 1; Groups B, C, D  
 - Class II; Div. 1; Groups E, F, G  
 - Class I; Zone 1; AEx d IIB+H<sub>2</sub>

**CSA** - Class I; Div. 1; Groups B, C, D  
 - Class II; Div. 1; Groups E, F, G  
 - Class I; Zone 1; Ex d IIB+H<sub>2</sub>



## C-750 CONTACTOR

### INSTALLATION



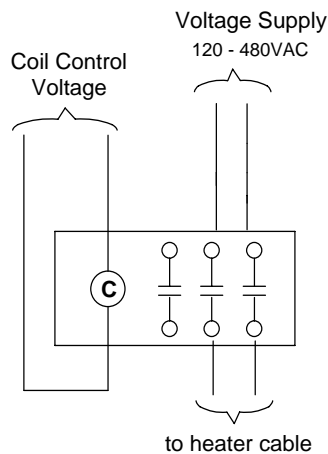
#### INSTALLATION NOTES:

- Securely mount enclosure and make electrical connections.
- Reinstall enclosure cover to prevent damage from inclement weather.
- Insure all fittings associated with the power wiring are installed per applicable codes.
- When conduit type systems are used, low point drains / conduit drains are highly recommended.

#### ANNUAL MAINTENANCE:

Spray a coat of lubricant and rust preventative such as CRC Stor & Lube on the electrical wire connections.

### WIRING DIAGRAM



We are pleased to offer suggestions on the use of our products, nevertheless, there are no warranties given except such expressed warranties offered in connection with the sale of a particular product. There are no implied warranties of merchantability or of fitness for a particular purpose given in connection with the sale of any goods. In no event shall Serge Baril Heat Tracing Systems be liable for consequential, incidental or special damages. The Buyer's sole and exclusive remedy and the limit of Serge Baril's liability for any loss whatsoever shall not exceed the purchase price paid by the Purchaser for the product or products to which a claim is made.

SERGE BARIL & ASS. INC.

5310 des Laurentides Blvd., Auteuil, Laval, Canada H7K 2J8

Tel. : (450) 622-7587 Fax : (450) 622-7869

