

SERGE BARIL TA-P

TANK ADAPTER KIT

FOR USE WITH PST and SS-PST CONNECTION KITS

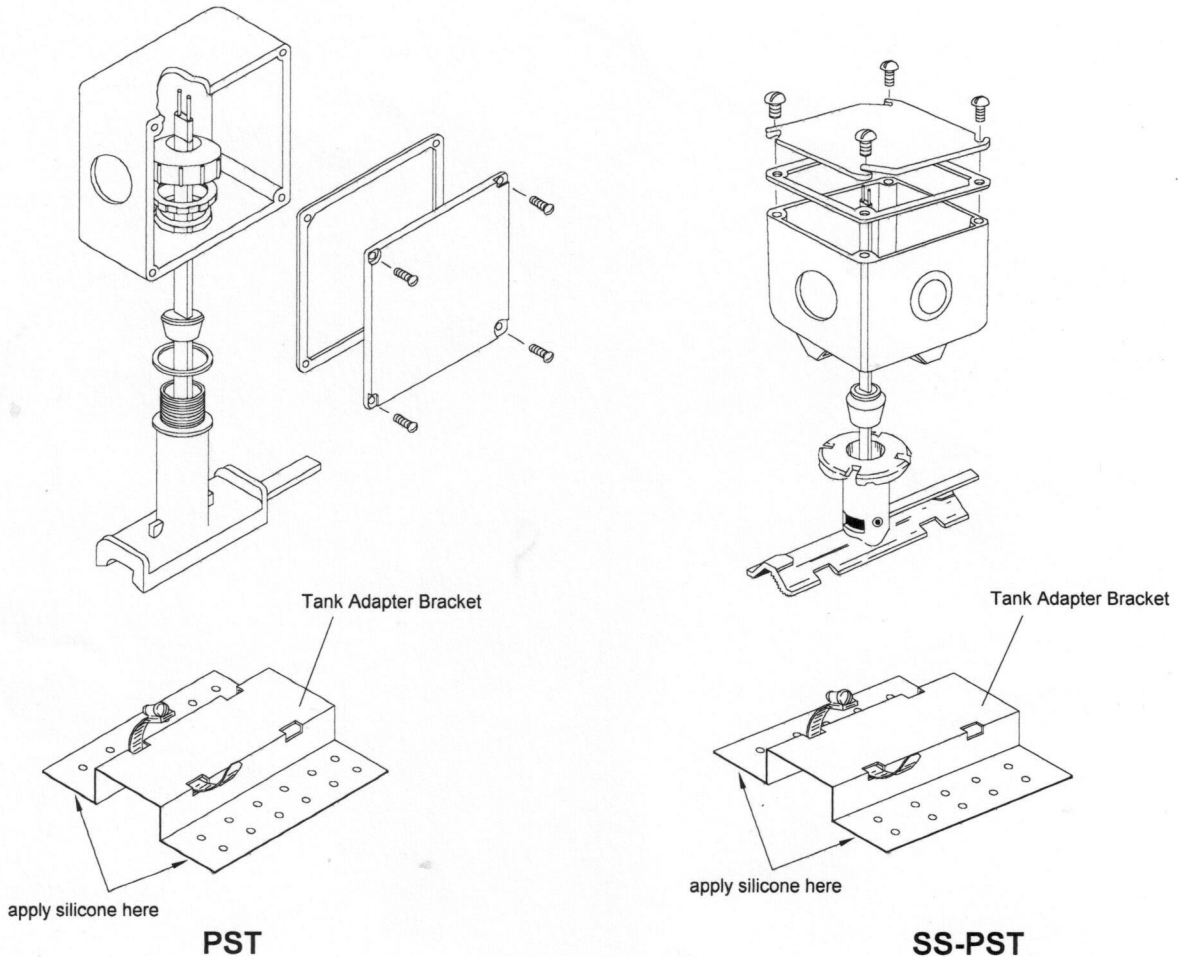
INSTALLATION
INSTRUCTIONS

DESCRIPTION

The TA-P Tank Adapter Kit is for use with the PST and SS-PST connection kits for mounting on a vessel.

KIT CONTENTS

- 1 Tank Adapter Bracket
- 2 Tubes of Silicone



- ❶ To insure proper mounting of the tank adapter bracket, select a convenient location.
- ❷ Allow at least 457mm (18") of loose heater cable for each tank adapter bracket used.
- ❸ Thoroughly clean mounting surface, approximately 6" sq., so that it is free of all foreign material.
- ❹ Apply (1) tube of silicone to each foot of the tank adapter bracket and firmly press into place.

⚠ WARNING:

Allow 24 hours for silicone to dry before mounting stand-off to the tank adapter bracket.

SERGE BARIL & ASS. INC.

5310 des Laurentides Blvd., Auteuil, Laval, QC Canada H7K 2J8
Tel.: (450) 622-7587 Fax: (450) 622-7869



GA-1724 Rev. 3
Sheet 1 of 1
February, 2005